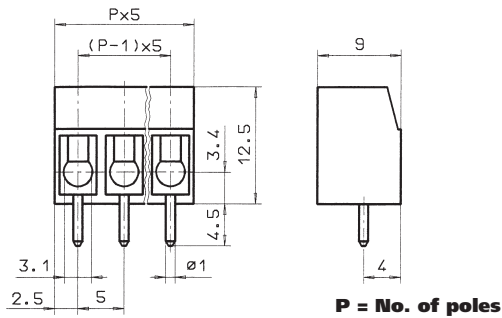
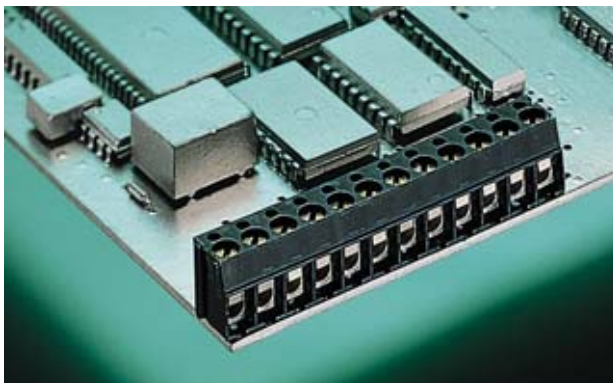
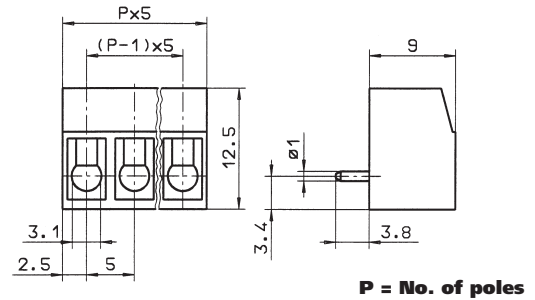


AK 100 VERTICAL

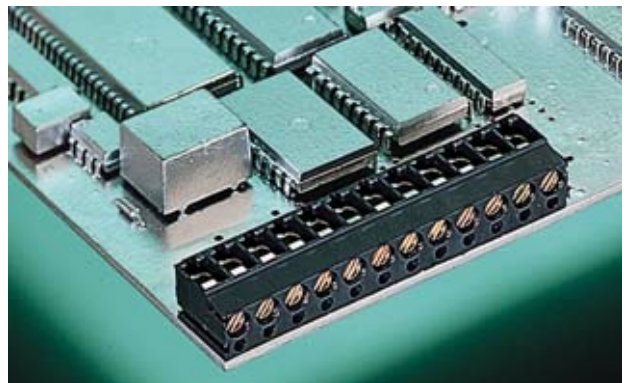


AK 100 HORIZONTAL



AK 100/.. DS - 5,0 - V - grey - BL




**2-12 poles, Spacing 5,0 mm
insert required no. of poles ..**



AK 100/.. DS - 5,0 - H - grey - BL

**2-12 poles, Spacing 5,0 mm
insert required no. of poles ..**

Ratings:

			
	UL 1059	CSA 22.2 No. 158	EN 60998
Rated voltage	300 V	300 V	250 V
Rated current	15 A	15 A	24 A (T60)
Wire Size	AWG 22-14	AWG 22-14	2,5 mm ²
Test voltage			2,0 kV
Rated Torque / Screw Size			0,5 Nm/M3
Max. Rated Cross Section			
Single Wire (solid)			2,5 mm ²
Stranded Wire (flexible)			1,5 mm ²
Stranded wire with Ferrules			1,5 mm ²




Dimensions

Spacing	5,0 mm
PCB hole diameter	1,3 mm
Stripped length	7,0 mm

Materials

Insulating material	PA
Flammability class	UL94 V-0
Temperature range	-30°C/+105°C
Terminal block	CuZn
Wire guard	stainless steel
Colour	grey
	RAL 7016

Ratings:

			
	UL 1059	CSA 22.2 No. 158	EN 60998
Rated voltage	30 V	300 V	250 V
Rated current	15 A	15 A	24 A (T60)
Wire Size	AWG 22-14	AWG 22-14	2,5 mm ²
Test voltage			2,0 kV
Rated Torque / Screw Size			0,5 Nm/M3
Max. Rated Cross Section			
Single Wire (solid)			2,5 mm ²
Stranded Wire (flexible)			1,5 mm ²
Stranded wire with Ferrules			1,5 mm ²

Dimensions

Spacing	5,0 mm
PCB hole diameter	1,3 mm
Stripped length	6,0 mm

Materials

Insulating material	PA
Flammability class	UL94 V-0
Temperature range	-30°C/+105°C
Terminal block	CuZn
Wire guard	stainless steel
Colour	grey
	RAL 7016